

# Metalu B-2

FIXED-REMOVABLE HYDRAULIC LIFT



**METALU**<sup>®</sup>  
poollift.com.es



It is the most stable hydraulic lift on the market.

**The handrail and its five points of support provide the user with a maximum feeling of safety.**

It is fixed for the whole bathing season and it can be removed for storage in winter.

## GENERAL CHARACTERISTICS METALU B-2

FIXED-REMOVABLE HYDRAULIC LIFT

- Officially approved to lift up to 150 Kgs.
- For its operation, it is needed a water inlet with a pressure between 3.5 and 5.5 bar, depending on the desired lifting capacity.
- Rotation angle: 170°, clockwise (downhill).
- Rotation radius 700 m / m.
- The operation control is located at the right of the user.
- The seat has a travel of 1.06 meters. and it is adjustable in height, normally it is placed at +0.53 mts. and -0.53 mts. at the water level.
- It is suitable to any pool because all the anchorage screw points are adjustable.
- Made of AISI 316 stainless steel.

### ■ AUTONOMOUS USER

- \*Rising time without load .....20"
- \*Rising time with 85 kg load.....25"
- \*Lowering time without load.....42"
- \*Lowering time with 85 kg load.....20"
- \*Water capacity in the piston.....8 litros

**2 years warranty on the lift and 5 years warranty in all the spares.**

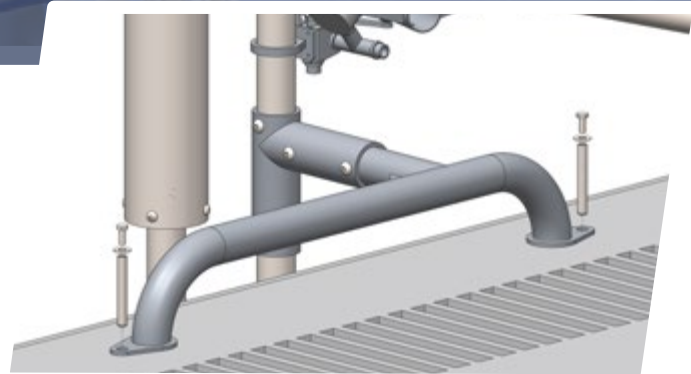
 **Approx. 50 kg.**



# Metalu B-2 FIXED-REMOVABLE HYDRAULIC LIFT

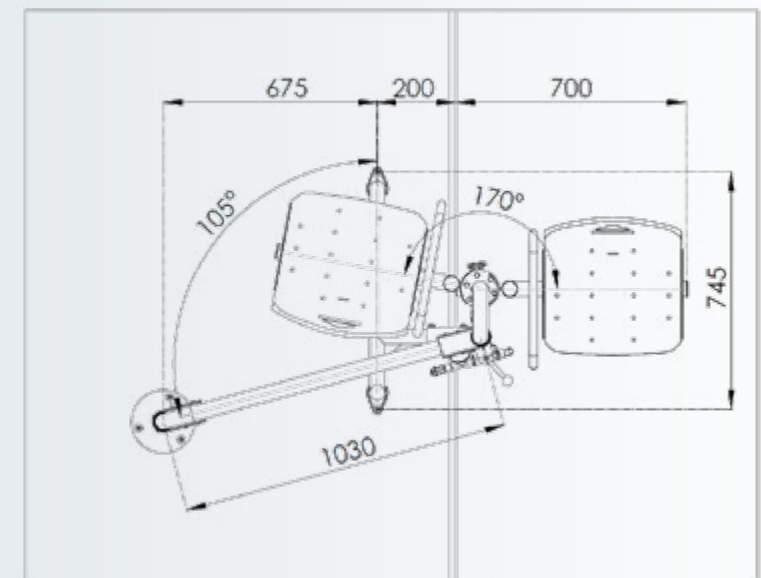
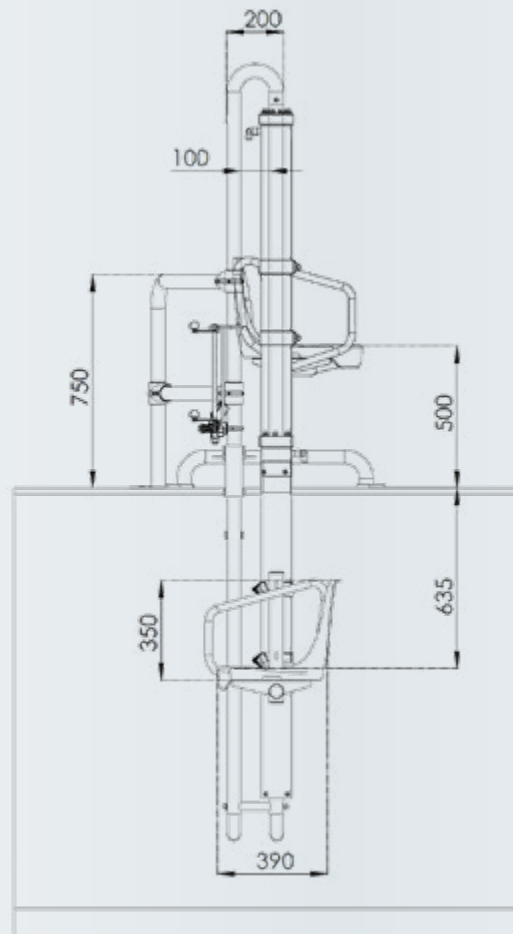
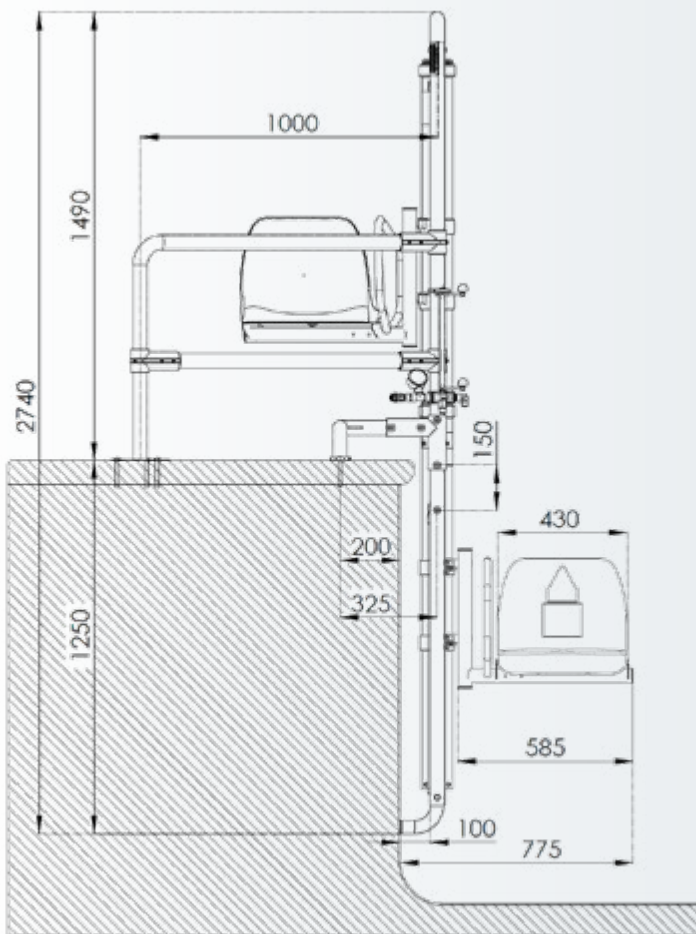
## \*TO CONSIDER

- Minimum required depth 1.20 m.
- If it coincides with any obstacle, or if you prefer, the handrail can be cut to a minimum of 0.5 m.
- If it is not possible to anchor the support platform, the lift can **NOT** be used for a lifting load of more than 120kg

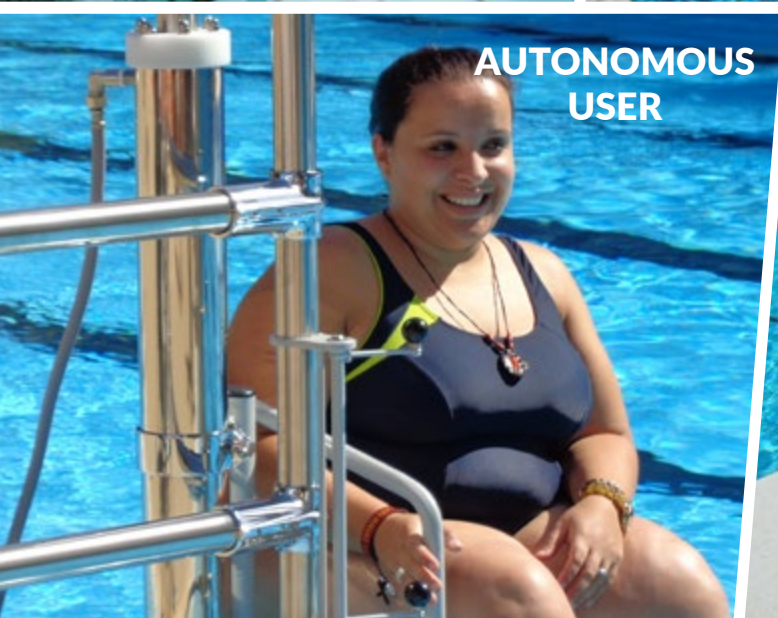
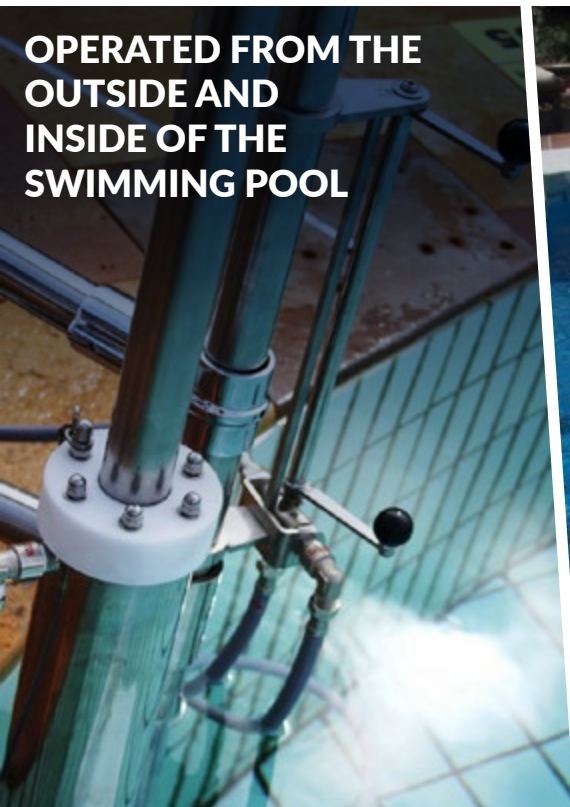


## METALU B-2 DIMENSIONS

UNITS IN MILLIMETERS [MM]



**OPERATED FROM THE  
OUTSIDE AND  
INSIDE OF THE  
SWIMMING POOL**



**AUTONOMOUS  
USER**



**REMOVABLE  
SEAT**



**WATER  
INLET**