

METALU 3400

FIXED-REMOVABLE BATTERY POOL LIFT



METALUGUARANTEE

3 YEARS The lift

5 YEARS Spare

IDEAL FOR POOLS WHERE IT CANNOT BE ANCHORED TO THE WALL.

Designed for high (elevated) pools with walls up to 1.40 m high, by anchoring to the ground.

FEATURES

Available in two versions:

- **User autonomous.** Users can access the pool unaided thanks to the dual motor in the lift, vertical and rotational (**Metalu 3400 auto**).

- **User assistance required.** Users must be assisted by another person who rotates the crane because only vertical movement is controlled by a motor.

Elevators customized. Custom design options to suit all pool configurations, offering various arm lengths and seat positions.

Easy installation and transport. Installation only requires the base to be anchored to the floor and it comes with wheels for easy transport.

Temporary fixed installation. It can be installed at the start of bathing season and removed when no longer required. The seat can also be removed.

Made from Aisi 316L stainless steel with a powder coating for protection.

Accessories included: safety belt, additional folding arm and footrest.

ELECTRICAL MECHANISM

24V electric actuator / Control box / Handset Two batteries
Battery charger / IP65 protection.



STAINLESS
AISI 316L.



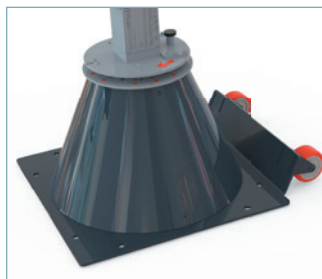
Seat travel
distance
1,10 m



Lift
capacity
120 kg



Rotation
radius
360°





TO BEAR IN MIND



AUTONOMÍA 25 / 30

When used properly, each battery should last for approximately 25-30 cycles. **Two-year battery guarantee.**



TWO BATTERIES

It comes with two batteries so that one can be charging while the other is in use.



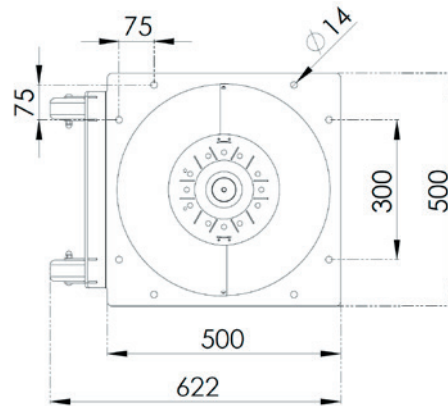
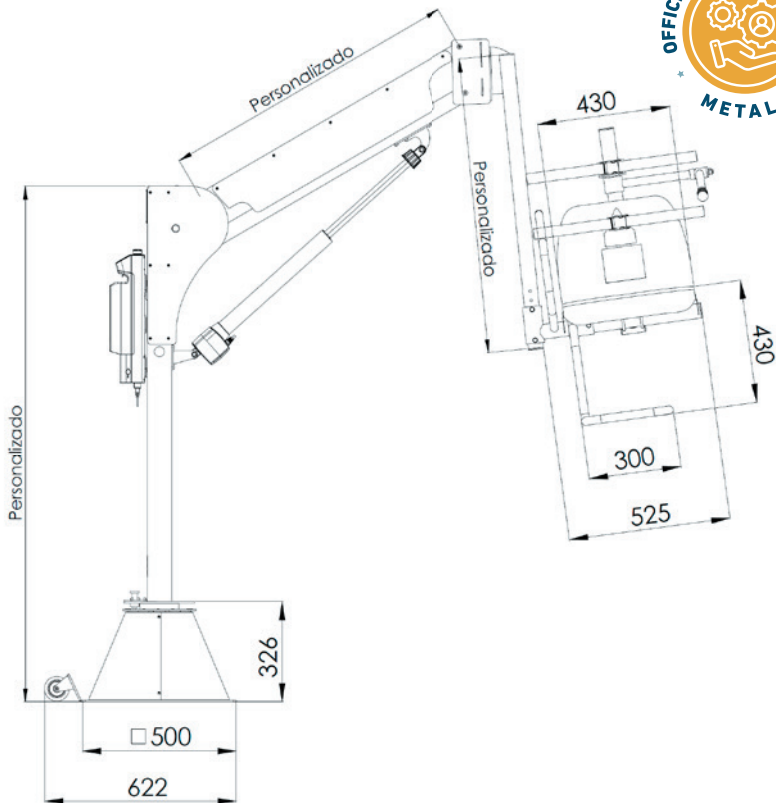
ADAPTABLE

It comes with two wheels on the base for easy transport.



4 / 5 HOURS

The batteries take 4-5 hours to charge.



Measurements in mm.

